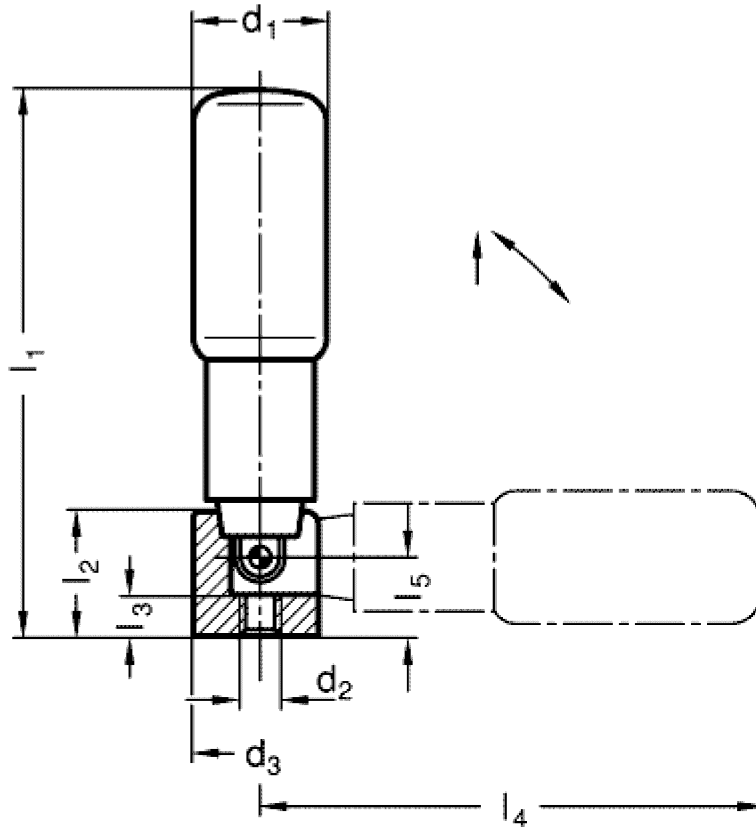




with hold in both positions

GN 798.5 St. Steel-Retractable handles



d1	d2	d3	l1~	l2	l3	l4~	l5
16	M 5	16	58	15	5	52,5	9,5
18	M 5	16	72,5	15	5	67	9,5
22	M 6	20	80,5	19,5	6	74	10,5
24	M 6	20	95,5	19,5	6	89	10,5
25	M 6	20	105,5	19,5	6	98,5	10,5

Specification

Handle
KT Plastic Technopolymer
 (Polyamide PA)
 temperature resistant up
 to 90° C

black, matt finish

revolving
 Retractable mechanism

Stainless Steel
 German Material No.

Information

Typical in design are our St. Steel -
 Retractable handles GN 798.5 with their
 stepped shape consisting of two cylinders
 giving the operator a better grip, especially
 when pulling the handle out from its locked
 position before it can be folded back into the
 rest position.

Retractable handles GN 798.5 are suitable
 when the handle must be withdrawn during
 automatic operations. The handle is pulled out
 of its taper seating in the direction of the
 arrow and then tilted. A compression spring

How to order

St. Steel-
 Retractable handle

GN 798.5-KT-25

Code no. **798.5**
 Material **KT**
 d1 **25**